



INCLINE LEG PRESS

SKU: CT-ILPCS

Knurled leg rest for appropriate posture

Adjustable seat handle

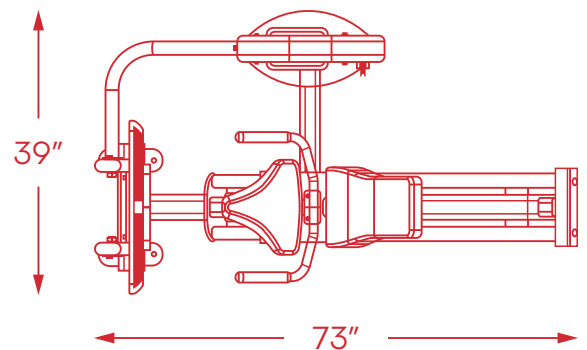


STANDARD FEATURES

- Angled footplate and seat maintain comfort and proper alignment through exercise.
- 2" diameter guide rods and ball bearing wheels for smoothness.
- 2" x 4" flat oval tubing, 1/4" dia. 4000 pound cable and 4 1/2" pulleys for rugged durability.
- Steel shrouds powder coated for a mar resistant lustrous finish.

OPTIONAL FEATURES

- Standard 200 lb. tiered weight stack is upgradeable in 50 lb. increments to 300 lbs.



Lifetime limited warranty on frame, welds, and weights, 3 years on bearings, guide rods, cams, and pulleys, 1 year on cables. See warranty for details.