



HALF RACK

SKU: 5013

OPTIONAL FEATURES



Deluxe Chin-Up Attachment
(SKU: 5013CU)



Land Mine Attachment
(SKU: 5013LM)



Lower Band Pegs - Pair
(SKU: 5013BP)



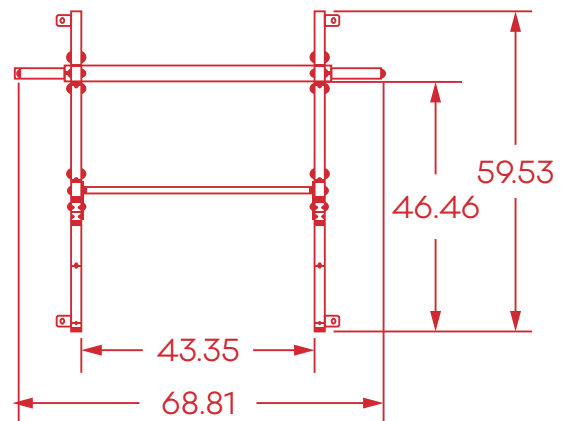
Olympic Bar Holder Storage
Tube (SKU: 5013OBH)

STANDARD FEATURES

- Heavy Duty commercial steel tube construction.
- 35 Height Adjustments spaced at 2 inches.
- Spotter Arms are 24" deep.
- 8 Chrome Weight Horns angled up 2" to retain plates for safety.
- Chin-up Bar at 84" height.

OPTIONAL FEATURES

- Deluxe Chin-Up Attachment (SKU: 5013CU)
- Land Mine Attachment (SKU: 5013LM)
- Lower Band Pegs - Pair (SKU: 5013BP)
- Olympic Bar Holder Storage Tube (SKU: 5013OBH)



90" H x 69" W x 59.5" D