

FUNCTIONAL TRAINER

SKU: FT100OS

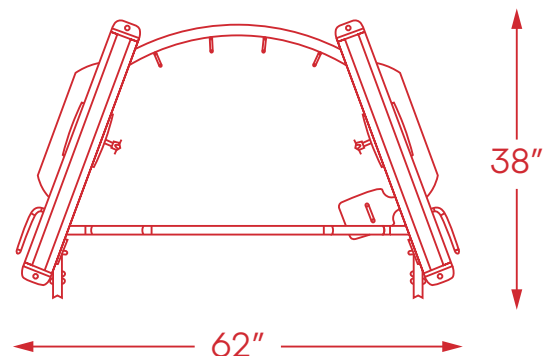


STANDARD FEATURES

- Two 150 lb. weight stacks, ten 10 lb. plates, and ten 5lb. plates per stack.
- 2:1 Cable pull.
- Integral step to help reach the chin-up bar.
- 24 Exercise heights to accommodate a wide range of users and exercises.
- 88" Overall height.
- Two nylon strap handles standard.
- Steel shrouds powder coated for a mar resistant and lustrous finish.

OPTIONAL FEATURES

- Weight stacks can be upgraded in 50 lb. increments up to 300 lbs. each.
- 4: 1 Cable pull to provide over 13 feet of travel and lower weight momentum.
- Five piece accessory kit with aluminum revolving long bar, ankle strap, triceps rope, short revolving straight bar, and functional exercise handle.



Lifetime limited warranty on frame, welds, and weights, 3 years on bearings, guide rods, cams, and pulleys, 1 year on cables. See warranty for details.